



IPC6525-Z30-S

# Quick Start Guide 快速入门



Issue: 09 (2018-09-25) Part Number: 31507700  
 Copyright © Huawei Technologies Co., Ltd. 2018.  
 All rights reserved.  
 版本 : 09 (2018-09-25) 文档编码 : 31507700  
 版权所有 © 华为技术有限公司 2018。保留一切权利。

Packing List and Qualification Card 装箱清单和合格证					
Component 物品	PCS	Component 物品	PCS		
IPC 网络摄像机	1	Waterproof tape 防水胶带	1		
Connector 转接头	1	PVC insulation tape 绝缘胶带	1		
Safety rope 安全绳	1	Crimping terminal (supporting 0.75 mm <sup>2</sup> and 1.0 mm <sup>2</sup> cables) 压线端子 (支持0.75mm <sup>2</sup> 和1.0mm <sup>2</sup> 的线缆)	2		
Quick Start Guide 快速入门	1	Flat-head screwdriver (the width of the head is 2.5 mm) 一字螺丝刀 (刀头宽度为2.5mm)	1		
Power terminal 电源端子	1	Allen wrench (M6) 内六角扳手 (M6)	1		

Additional Guides Available 资料获取路径	
<p>To obtain the latest documents, including the Product Documentation and FOSS License Information, visit <a href="http://support.huawei.com/enterprise">http://support.huawei.com/enterprise</a> and enter the camera model to search for related documents. You can also log in to <a href="http://support.huawei.com/enterprise">http://support.huawei.com/enterprise</a> or scan the QR code using your mobile phone to download the Huawei Enterprise Technical Support app. Then start this app and choose <b>Video Surveillance &gt; IP Cameras</b> to obtain the latest documents.</p> <p>请登录 <a href="http://support.huawei.com/enterprise">http://support.huawei.com/enterprise</a> 网站, 输入摄像机型号进行搜索, 获取最新资料, 包括《产品文档》和《开源软件使用声明》等。您也可以用手机登录 <a href="http://support.huawei.com/enterprise">http://support.huawei.com/enterprise</a> 网站或者扫描右侧二维码, 下载“华为企业技术支持 APP”, 选择“视频监控 &gt; IP摄像机”获取最新资料。</p>	 <p>Huawei Enterprise Technical Support APP 华为企业技术支持移动 APP</p>

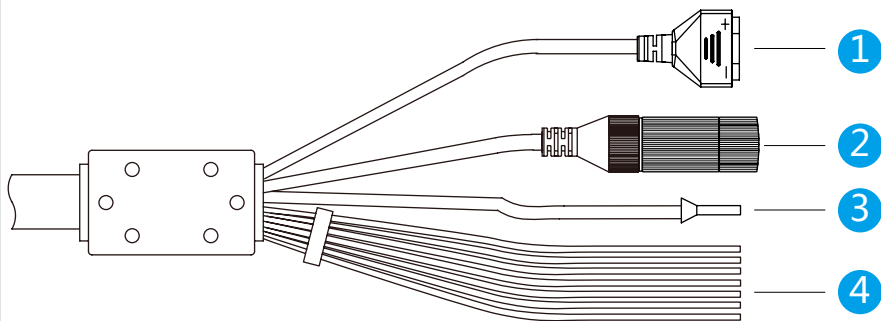
电子电气产品有毒有害物质申明						
部件名称	有毒有害物质或元素					
	Pb 铅	Hg 汞	Cd 镉	Cr6+ 六价铬	PBB 多溴联苯	PBDE 多溴二苯醚
单板/电路模块	×	○	○	○	○	○
线缆和线缆组件	×	○	○	○	○	○
辅料	×	○	○	○	○	○
电池	○	○	○	○	○	○

本表格依据SJ/T 11364的规定编制。

○ : 表示该有害物质在该部件所有均质材料中的含量在GB/T 26572规定的限量要求以下。

× : 表示该有害物质至少在该部件的某一均质材料中的含量超出GB/T 26572规定的限量要求。

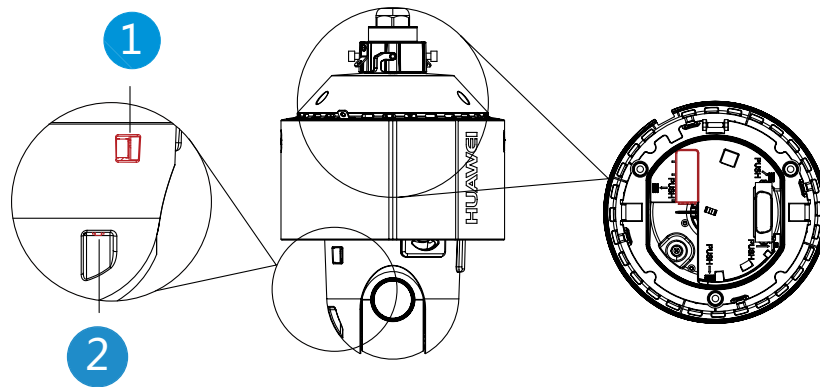
	<p>This product has an environment friendly use period (EFUP) of 20 years, as shown in the symbol on the left. Some replaceable parts have their own EFUP labels. The EFUP is suitable only for products that work in conditions specified in the product manual. 本产品的环保使用期限为20年, 标识如左图所示。某些可更换的零部件会有一个不同的环保使用期贴在其产品上。此环保使用期限只适用于产品是在产品手册中所规定的条件下工作。</p>
---	--



**NOTE/ 说明**

The color identifier of the alarm cable is subject to the actual pigtail label.  
告警线缆颜色标识以实际的尾线标签为准。

NO. 序号	Item 名称	Description 说明
1	AC24V/ DC24V	Indicates the power input interface that supports 24 V AC (18.0 V to 29.9 V) and 24 V DC (19.2 V to 28.8 V) power input. 电源输入接口。支持AC 24V ( 18.0V ~ 29.9V ) 和DC 24V ( 19.2V ~ 28.8V ) 电源输入。
2	LAN/POE	Indicates the network interface that supports power over Ethernet (PoE). When the power input interface and PoE interface are connected at the same time, PoE is preferred. The heater can properly work only when the device is powered by the power supply or by the power supply and PoE. 网络接口。支持PoE供电。当电源输入接口和PoE同时连接时，优先PoE供电。设备仅在电源供电或者电源和PoE同时供电时支持加热。
3	PGND	Indicates the power ground interface. 电源接地接口。
4	ALARM_OUT	Indicates the alarm output interface. ALARM_OUT and ALARM_REF form a group of alarm output.
	ALARM_REF	告警输出接口。ALARM_OUT和ALARM_REF组成一组告警输出。
	ALARM_GND	Indicates the alarm input ground interface. 告警输入接地接口。
	ALARM_INm	Indicates the alarm input interface. The value m is an integer ranging from 0 to 3. ALARM_INm and ALARM_GND form a group of alarm input. There are four groups of alarm input. 告警输入接口，m为0~3之间的整数。ALARM_INm和ALARM_GND组成一组告警输入，一共4组。



NO. 序号	Operation 操作	Description 说明
1	You can find the Reset button and SD card slot after removing the shield using a All wrench. 使用内六角扳手将球机护罩卸下，即可看到重置键和SD卡槽。	SD card slot that supports only Micro SD cards of Class 6 or higher classes. You can replace a Micro SD card only when the device is powered off. When a Micro SD card is used for the first time, log in to the web page of the device and format the Micro SD card. For details, see Configuration Guide. SD卡卡槽，仅支持Micro SD卡 ( Class 6及以上 )。请在设备断电的情况下插拔SD卡，否则会造成系统异常。首次使用时，请登录设备Web客户端，格式化SD卡，操作方法请参见《配置指南》。
2	Reset button. To restart the device, hold down the RST button for less than 3s. To restore the device to factory defaults, hold down the RST button for at least 3s during the device running or hold down the RST button, power on the device, and keep holding down the RST button for more than 5s. 重置按钮。运行时按住RST键短于3秒重启设备；运行时按住RST键不短于3秒或者按住RST键后上电并持续按住RST键不短于5秒后恢复出厂配置。	

**Prepare for Installation Tools/ 准备安装工具**

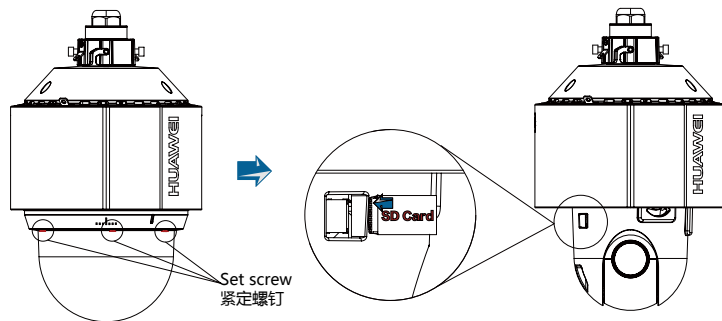
 PVC insulation tape 绝缘胶带	 Wiring terminal 接线端子	 Measuring tape 钢卷尺
 Marker 记号笔	 Hammer drill (for mounting a camera on the ceiling or wall) 冲击钻 ( 吊顶和墙壁安装时使用 )	 Claw hammer (for mounting a camera on the ceiling or wall) 羊角锤 ( 吊顶和墙壁安装时使用 )
 Socket wrench (M6) 套筒扳手 ( M6 )	 Cable stripper 剥线钳	 RJ-45 connector crimping tool 水晶头压线钳
 Phillips screwdriver (Head model: 0#.) 十字螺丝刀 ( 刀头型号为：0# )	 Glass cement 玻璃胶	 Waterproof tape 防水胶带

## Install the Device/ 设备安装

### A Install the SD card / 安装 SD 卡

Use an allen wrench to remove the transparent shield, install the SD card.

使用内六角扳手将球机透明护罩卸下，插入 SD 卡。



### ⚠ CAUTION/ 注意

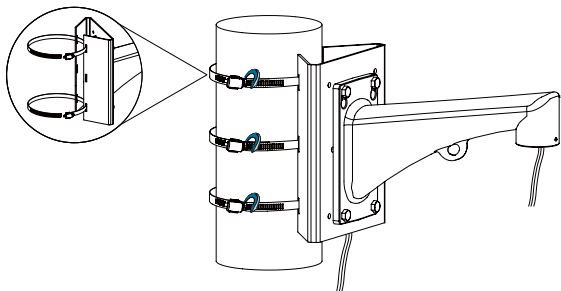
• When the camera is not connected or cannot be connected to a video surveillance platform for a long time, you are advised to disable video buffering of the camera to increase the service life of the SD card.

若摄像机长时间无法接通平台或者不对接平台使用，建议手动关闭摄像机的平台离线缓存补录功能，以提高SD卡的使用寿命。

### B Pole-Mount/ 立杆抱装

2 Unfasten the three loops and put the loops through the installation holes on the pole-mount bracket. Thread the cables through the pole-mount bracket and wall-mount bracket. Place the loops around the pole and fasten the loops to fix the pole-mount bracket on the pole.

将3个抱箍拧开，穿过抱装支架的安装孔。将需要与球机尾线对接的线缆穿过抱装支架和壁装支架。将抱箍环绕在柱杆上，拧紧抱箍，将抱装支架固定在柱杆上。



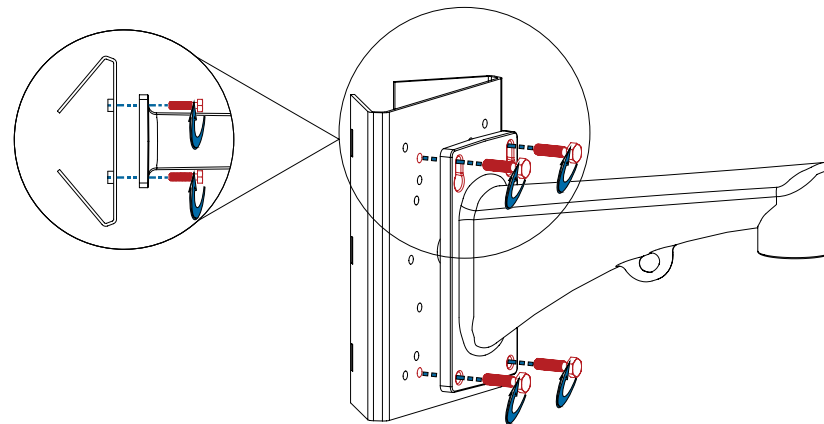
### 📖 NOTE/ 说明

Ensure that the connection of the network cable is not parallel to the connections of other cables. If the connections of all cables are parallel to each other, you may have difficulty tucking the cables into the wall-mount bracket. In cable waterproofing and insulation processing, stagger the connections of network and other cables to each other for easy wiring. Apply the water-proof tape to the connection of the wall-mount bracket, connector, and dome camera. For details, please refer to "Connect cables". 对壁装支架、转接头和球机的连接处使用防水胶带进行防水处理。详细操作请参见“连接线缆”章节。

### B Pole-Mount/ 立杆抱装

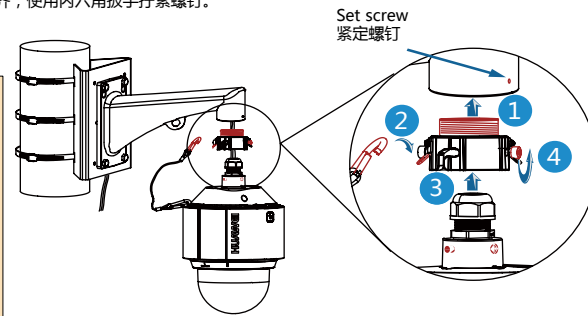
1 Align the screw holes on the wall-mount bracket with the screw holes on the pole-mount bracket, tighten the screws.

将壁装支架上的螺孔与抱装支架上相应的螺孔对齐，拧紧螺钉。



3 Tighten the connector into the joint of the wall-mount bracket, use a Phillips screwdriver to screw the set screw clockwise to fix the quick connector and bracket. Use safety ropes to connect the camera and conversion adapter. Connect the cables to the tail cables of the dome camera, apply the PVC insulation tape and waterproof tape to the cables, and tuck the cables into the wall-mount bracket. Connect the dome camera to the connector, align the screw holes on the flange with the screw holes on the connector, and use an allen wrench to tighten the screws.

将转接头拧入壁装支架连接口，使用十字螺丝刀顺时针旋转紧定螺钉，紧固快装转接头和支架。使用安全绳连接摄像机和转接头。将线缆与球机的尾线连接，并对线缆进行防水和绝缘处理，并将线缆引入到支架中。将球机嵌入转接头中，球机法兰上的螺孔和转接头上的螺孔对齐，使用内六角扳手拧紧螺钉。

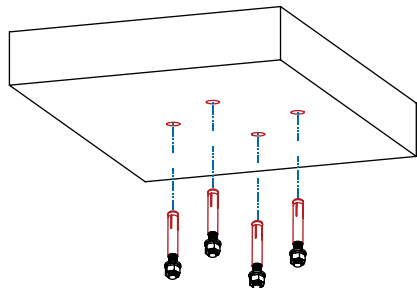


## Install the Device/ 设备安装

### C Indoor Ceiling-Mount/ 室内吊装

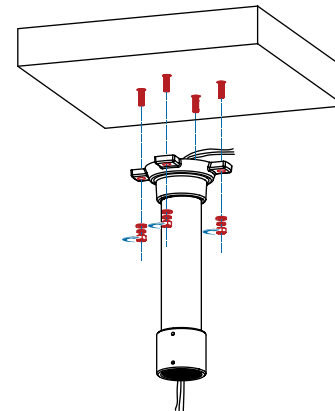
- 1 Place the ceiling-mount bracket to the required installation location, use a marker to mark the screw installation positions and drill holes in the marked positions. Use a claw hammer to install the expansion bolts into the holes.

将吊装支架放置于安装位置，使用记号笔绘制螺钉安装位置，并根据绘制的螺钉安装位置钻孔。使用羊角锤将膨胀螺栓打入钻好的孔内。



- 2 Remove flat washers, spring washers, and nuts from the expansion bolts. Thread the cables through the ceiling-mount bracket. Put the four expansion bolts through the four screw holes at the bottom of the ceiling-mount bracket, put the flat washers, spring washers, and nuts on the expansion bolts, and tighten the nuts.

拧下膨胀螺栓上的平垫、弹垫和螺母。将需要与球机尾线对接的线缆穿过吊装支架。将吊装支架底座上的4个螺孔套在相应的膨胀螺栓上，将平垫、弹垫和螺母套在膨胀螺栓上，拧紧螺母。



#### NOTE/ 说明

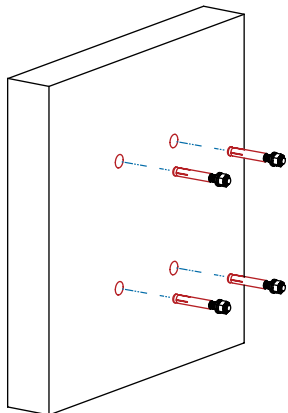
For details about subsequent installation operations, see 3 in *Pole-Mount*.

后续安装的具体过程请参见“立杆抱装中的步骤3”。

### D Wall-Mount/ 壁装

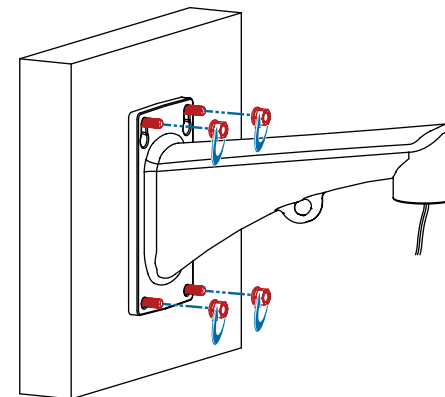
- 1 Place the wall-mount bracket to the required installation location, use a marker to mark the screw installation positions and drill holes in the marked positions. Use a claw hammer to install the expansion bolts into the holes.

将壁装支架放置于安装位置，使用记号笔绘制螺钉安装位置，并根据绘制的螺钉安装位置钻孔。使用羊角锤将膨胀螺栓打入钻好的孔内。



- 2 Remove flat washers, spring washers, and nuts from the expansion bolts. Thread the cables through the wall-mount bracket. Put the four expansion bolts through the four screw holes at the bottom of the wall-mount bracket, put the flat washers, spring washers, and nuts on the expansion bolts, and tighten the nuts.

拧下膨胀螺栓上的平垫、弹垫和螺母。将需要与球机尾线对接的线缆穿过壁装支架。将壁装支架底座上的4个螺孔套在相应的膨胀螺栓上，将平垫、弹垫和螺母套在膨胀螺栓上，拧紧螺母。



#### NOTE/ 说明

For details about subsequent installation operations, see 3 in *Pole-Mount*.

后续安装的具体过程请参见“立杆抱装中的步骤3”。

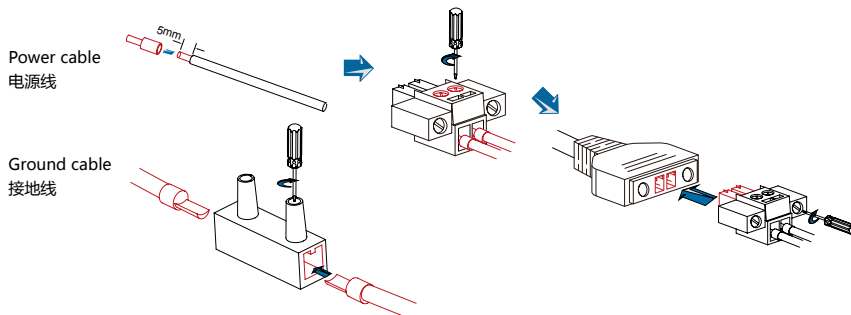
## Install the Device/ 设备安装

### E Connect Cables/ 连接线缆

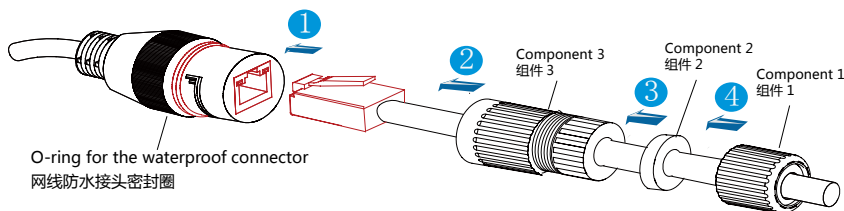
#### ⚠ CAUTION/ 注意

- In areas prone to lightning strikes, a lightning arrester must be installed and the lightning arrester must be grounded.  
在易受雷击的区域，必须安装避雷器，避雷器必须接地。
- The strong current cables and weak current cables must be separately laid. The distance between the strong current cable and the weak current cable must be greater than or equal to 5 cm. When connecting cables to the device, do not connect the strong current cable to the weak current interface to avoid device damages.  
强电和弱电必须分开布线，两者间的距离不小于 5cm。线缆与设备连接时，禁止将强电接到弱电接口上，以免造成设备损坏。
- Use insulated rubber tapes and waterproof tapes to wrap all tail cables to prevent short circuit and water leakage. Cutting off the pigtail cables will void your warranty.  
请务必使用绝缘胶带和防水胶带对所有尾线进行绝缘和防水处理，以免造成短路和漏水。尾线不能剪断，若剪断，则无法维保。

- 1 Connect the power cable and the ground cable. A bare wire supports the 1.5 mm<sup>2</sup> (length is less than or equal to 25 m) power cable at most, and a crimping terminal supports the 0.75 mm<sup>2</sup> (length is less than or equal to 15 m) or 1.0 mm<sup>2</sup> (length is less than or equal to 20 m) power cable. The ground impedance must be less than or equal to 5 ohms.  
连接电源线和接地线。接裸线最大支持 1.5mm<sup>2</sup> (长度最大支持 25m) 电源线，配压线端子支持 0.75mm<sup>2</sup> (长度最大支持 15m) 或 1.0mm<sup>2</sup> (长度最大支持 20m) 电源线。接地线要求阻抗 ≤ 5Ω。

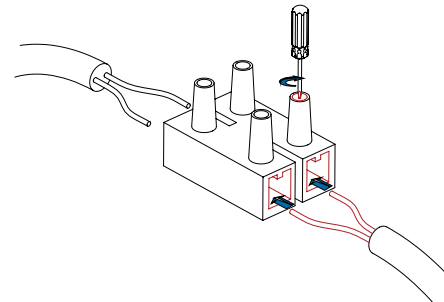


- 2 Connect the network cable. Loosen the components 1, 2, and 3 of the waterproof connector kit on the network cable port in sequence, thread the network cable through the kit, and install the components in the sequence marked in the following figure. The waterproof connector of the network cable must be secured tightly, or they may come loose later.  
连接网线。先把网线接口上防水套件的组件 1、组件 2 和组件 3 依次旋转拆卸，然后穿入网线，再将各组件按如图所示顺序安装。网线防水接头务必拧紧到位，否则会有脱落风险。



- 3 Connect the audio cable, alarm cable, and RS485 cable. It is recommended that twisted pair cables be used as alarm cables. The diameter of the cable core ranges from 22 AWG to 28 AWG. The impedance of the entire cable is less than or equal to 100 ohms.

连接告警线缆。告警线缆建议使用双绞线，线芯的线径为 22AWG ~ 28AWG，整条线路的阻抗 ≤ 100Ω。

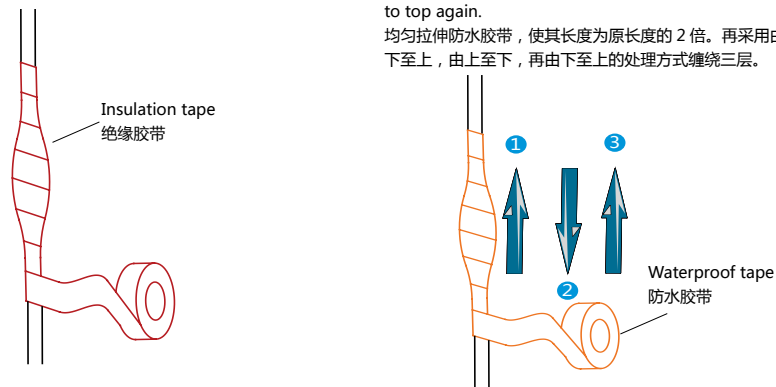


### F Waterproofing and Insulation/ 防水绝缘处理

#### 📖 NOTE/ 说明

Waterproof and insulate all cables including power cables, network cables, and unused pigtailed. Before that, check the cabling and ensure that the camera runs normally to avoid reworkings. The waterproof tape must cover the cable bundle from the insulation sheath all the way to the cable conduit (for example, a PVC tube). The tape must be wrapped tightly and there must be no gaps in the coverage or water will leak in.  
电源线、网线等所有的线缆，包括未使用的尾线都需要做防水绝缘处理。做绝缘防水处理前请检查线缆是否接好并可正常工作，避免二次返工。防水胶带务必从线缆束绝缘外皮开始缠绕至防护皮管（如 PVC 管），且尽量缠紧，且覆盖到位，以免漏水。

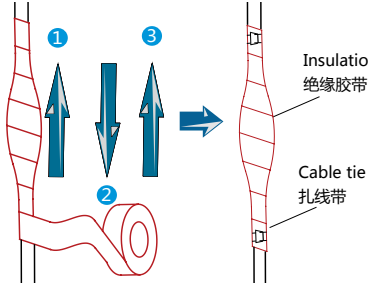
- 1 Wrap one layer of insulation tape around each cable joint.  
用绝缘胶带缠绕每条线缆对接处，缠绕一层。
- 2 Stretch the waterproofing tape evenly to twice its original length. Then apply it for three layers from bottom to top, from top to bottom, and from bottom to top again.  
均匀拉伸防水胶带，使其长度为原长度的 2 倍。再采用由下至上，由上至下，再由下至上的处理方式缠绕三层。



## Install the Device/ 设备安装

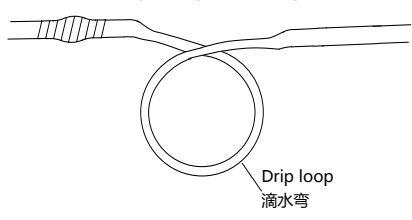
### F Waterproofing and Insulation/ 防水绝缘处理

- 3 Apply three layers of insulation tape. Then, use cable ties to secure the both ends.  
用绝缘胶带缠绕三层。最后用扎线带绑扎上下两端。



- 4 Cover the rest of the cabling in a conduit or with protective waterproof rubber tape. Make a drip loop as shown below to create an artificial lowest point of the cable.

使用防护皮管或者防水胶带，包住线缆其他部分，并制作滴水弯。滴水弯呈倒Ω型，形成线缆的最低点。



## Data Plan/ 数据规划

### IP address/IP 地址

Parameter 参数名	Description 参数解释
IP address assignment method 获取IP方式	<ul style="list-style-type: none"> <li>Automatic: The system automatically configures the IP address, subnet mask, gateway IP address, and DNS. 自动获取IP地址：系统将自动配置IP地址、子网掩码、网关地址和DNS。</li> <li>Manual: You need to manually set the IP address, subnet mask, gateway IP address, and DNS. 使用下面的IP地址：需要用户手动配置IP地址、子网掩码、网关地址和DNS。</li> </ul>
IP address IP地址	<ul style="list-style-type: none"> <li>IP addresses starting with 127 are not valid. You must enter an IP address starting with another value from 1 to 223. 以127开头的IP地址无效，请输入介于1和223之间的其它数值。</li> <li>If the camera is passively registered with the platform using the ONVIF, GENETEC or SDK, only the IP address needs to be configured. 通过ONVIF、GENETEC和SDK被动注册时，仅需要配置IP地址即可。</li> </ul>

### GB/T 28181

Parameter 参数名	Description 参数解释
Platform IP 平台IP	IP address of the platform server. This parameter is mandatory. 监控平台所在服务器的IP地址。必须设置。
Port number 端口号	Port number of the platform server. This parameter is mandatory. 监控平台所在服务器的端口号。必须设置。
Device ID 设备ID	Unique ID that the video surveillance platform allocates to the camera. The value of this parameter must be the same as the first 20 digits in the device ID (the value of <b>Code</b> on the IVS platform) configured on the video surveillance platform. If they are different, the camera will fail to connect the video surveillance platform. 监控平台分配给前端设备的唯一标识。必须与平台配置的设备ID（在IVS平台中，该参数名为 <b>编码</b> ）的前20位保持一致，以免造成对接失败。
Login name 登录名	User name used to register the camera with the video surveillance platform. The value of this parameter is in the <i>login name@domain name</i> format. The login name indicates the device ID. The domain name consists of 10 digits. 用于注册到监控平台。格式为：登录名@域名。登录名为设备ID，域名为自定义10位数字。
Password 密码	Password used to register the camera with the video surveillance platform. The value of this parameter must be the same as the registration password configured on the video surveillance platform. 设备注册到平台时的注册密码。必须和监控平台中的注册密码保持一致。
Server code 服务器编码	GB/T 28181 server code that consists of 20 self-defined digits. GB/T 28181服务器编码。自定义输入20位数字。

## Web Operations/Web 操作

### Logging In to the Web Client/ 登录 Web 客户端

- 1 Open Internet Explorer, enter an IPC IP address. IP address can be set automatically via DHCP, or a static IP address can be set manually (192.168.0.120 by default) and press Enter.  
在Internet Explorer地址栏里输入摄像机的IP地址，IP地址默认通过DHCP自动获取，也可以手动进行设置（默认为192.168.0.120），按“Enter”键。

#### NOTE/ 说明

- Supported browsers: Internet Explorer 8-11, Google Chrome 32 and later versions, and Mozilla Firefox 35-51. Google Chrome 45 and later versions require installation of Internet Explorer Tab plug-in.  
支持的浏览器：Internet Explorer 8~11、Google Chrome 32及以上版本、Mozilla Firefox 35-51版本。其中Google Chrome 45及以上版本需安装Internet Explorer Tab插件。
- For security reasons, change the password after logging in to the system as the admin user for the first time.  
首次使用admin用户登录时，请务必修改密码，以免造成安全隐患。
- When using HTTPS to access a camera, you must enable TLS 1.1 or TLS 1.2. Otherwise, the camera web page cannot be displayed.  
使用HTTPS协议访问摄像机时需要启用TLS 1.1或TLS 1.2，否则无法打开摄像机web页面。
- Please open the web browser on your PC as the administrator.  
请使用PC的管理员身份打开浏览器。

- 2 Enter the user name and password. The default user name and password are **admin** and **HuaWei123** respectively.  
输入用户名和密码。默认用户名为管理员用户“admin”，默认密码为“HuaWei123”。
- 3 Click **Login**.  
单击“登录”。

### Setting Basic Network Parameters/ 配置基本网络参数

- 1 Log in to the web client as the administrator.  
以管理员用户登录 Web 客户端。
- 2 Choose **Settings > Network**.  
选择“高级配置 > 网络”。
- 3 Set the network parameters as planned.  
根据规划的数据配置基本网络参数。  
For detail about how to set basic network parameters, see Configuration Guide.  
基本网络参数的具体配置方式请参见《配置指南》。

### Setting Platform Connection Parameters/ 配置平台对接参数

- 1 Log in to the web client as the administrator.  
以管理员用户登录 Web 客户端。
- 2 Choose **Settings > Network > Platform Connection**.  
选择“高级配置 > 网络 > 平台对接参数”。
- 3 Set the platform connection parameters as planned.  
根据规划的数据配置平台对接参数。  
For detail about how to set platform connection parameters, see Configuration Guide.  
平台对接参数的具体配置方式请参见《配置指南》。

#### NOTE/ 说明

The default coding protocol of IPCs is H.265. Verify that the connected surveillance platform supports H.265. Otherwise, see the *Configuration Guide* to modify the coding protocol of IPCs.  
摄像机出厂默认编码协议为H.265，请务必确认所对接的监控平台是否支持H.265编码协议，否则请参见《配置指南》修改摄像机编码协议。

Q : What can I do if the dome camera cannot perform self-check after being powered on?

A : Check whether the power cable is loose. If the power cable is loose, reconnect the power cable.

问：球机上电后不会自检？

答：检查电源是否松动，重新插拔电源。

Q : After you enter the IPC IP address in the address box and press Enter, the Internet Explorer displays "There is a problem with this website's security certificate."

A : Click **Continue to this web (not recommended)** to continue browsing this website. Then, install the root certificate or upload your own certificate. For details, see Configuration Guide.

问：在 IE 浏览器中输入设备 IP 地址后，网页显示“此网站的安全证书有问题”？

答：单击“继续浏览此网站（不推荐）”，继续访问设备 Web 页面，然后安装根证书或上传用户自己的证书文件，具体操作请参见《配置指南》。

Q : When the root certificate is downloaded, the Internet Explorer displayed "There is a problem with this website's security certificate", Click "Continue to this website(not recommended)" to access the login page, the Certificate Error is displayed in the address box.

A : Choose " **Settings > System > Configuration Management > Certificate Management** ", upload a valid certificate. After the certificate is uploaded, restart the browser.

问：根证书下载安装完成后，IE 仍提示“此网站的安全证书有问题”，单击“继续浏览此网站（不推荐）”进入登录页面后，地址栏中出现“证书错误”提示。

答：选择“高级配置 > 系统配置 > 配置管理 > 证书管理”，上传用户自己的合法证书，完成后重新启动浏览器。

Q : What can I do if I forgot the password of the admin user?

A : Use an account with the administrator rights to log in to the web page, choose **Maintenance > Reset Device > Device Operation**, and click **Restore** or hold down the Reset button for at least 3s to restore the camera to factory defaults.

问：忘记 admin 用户的密码？

答：使用其他拥有管理员权限的帐号登录 Web 页面，选择“维护 > 设备重置 > 设备操作”，单击“恢复默认配置”后恢复系统默认配置，或者长按 **Reset** 键 3s 以上恢复系统默认配置。

## Warranty Card



Thank you for choosing products of Huawei Technologies Co., Ltd. (Huawei). To be entitled for warranty service for the product, please read the following warranty statements carefully.

### 1. Warranty Period

Unless otherwise stated specifically by Huawei, the following periods apply:

Duration of Hardware Warranty: 12 months

Duration of Software Media: 3 months

The start date of the warranty:

The warranty starts on the 90th day after the date of the product shipment from Huawei, or the date of receiving service request, whichever is earlier.

#### Notes:

1. If there is any conflict with contract terms and conditions, the contract terms and conditions shall prevail.
2. When you purchase a product from Huawei, please confirm the date when the product will be shipped from Huawei, and check other warranty-related information.
3. For expansion and replacement parts, you are entitled to either of the following warranties (whichever is longer):
  - (1) A 90-day warranty starting from the date the replacement parts are shipped
  - (2) The remaining warranty of the original equipment
4. Warranty service is provided for the lithium battery modules for the S series switches, but the terms related to hardware warranty service response time in the **Huawei Enterprise Standard Warranty** do not apply to the lithium battery modules.

### 2. Service Guidelines

This warranty card entitles you to free warranty service within the warranty period. For a complete listing of applicable warranties, please visit <http://e.huawei.com>, choose **Support > Service Solutions > Warranty**.

Technical Support: Visit <http://support.huawei.com/enterprise>, click **Contact Us** at the bottom of the page, and select your country to obtain contact information of Huawei local office.

TAC Support: Visit <http://support.huawei.com/enterprise> and choose **Contact > Global Service Hotline** to find the service hotline available in your country.

Complete the form below and keep for ready reference:

Product supplier: \_\_\_\_\_

Supplier telephone number: \_\_\_\_\_

Product serial number: \_\_\_\_\_

# 保修卡



尊敬的用户，感谢您使用华为技术有限公司（以下简称华为）的产品，请填写保修卡内容，并将下面的保修卡厂家留存联寄回华为公司，华为公司会登记备案，并保证您的以下权益：

- 您购买的主机可获得12个月的设备免费保修服务（软件介质保修期为3个月）。
- 保修期起始时间计算方式：  
从发货之日起九十（90）日或买方第一次申请保修服务之日起孰早开始计算，最晚保修起算时间不超过发货之日起九十（90）日。
- 请注意：
  - 在购买产品时，为保障您的权益，请确认产品从华为的发货日期等保修相关信息。
  - 扩容部件与故障更换件的保修期为华为发货之日起90天，或者跟随主机原有的剩余保修期服务，以两者中较长的时间为准。
  - 免费保修服务仅限于主机（系列主板、电源模块、风扇模块、通信模块、硬盘）和相关辅助部件。
  - S系列交换机配套的锂电池模块提供保修，但不适用《标准保修说明书》的硬件维修服务响应时间条款。
- 用户可凭保修卡享受保修期内的基本保修服务，服务的详细内容可查看《企业网络产品标准保修说明书》，该保修说明书可在华为企业业务网站 (<http://e.huawei.com>) 查询。
- 中文保修卡仅适用于中国大陆。
  - 华为公司Help Desk热线：400-822-9999（7\*24小时）
  - 商业分销产品授权服务中心网站：<http://e.huawei.com>。
 依次点击“技术支持>渠道服务>商业分销授权服务中心>授权服务中心服务指南”。

用户名称：\_\_\_\_\_ 经销商：\_\_\_\_\_

产品型号：\_\_\_\_\_ 详细地址：\_\_\_\_\_

邮编：\_\_\_\_\_ 电话：\_\_\_\_\_

产品条码：\_\_\_\_\_ 传真：\_\_\_\_\_ E-mail：\_\_\_\_\_

购买日期：\_\_\_\_\_年\_\_月\_\_日 经销单位：（盖章）

## （用户留存）

保修卡须经经销商盖章方有效

### 保修卡（经销商留存）



用户名称：\_\_\_\_\_

详细地址：\_\_\_\_\_

邮编：\_\_\_\_\_ 电话：\_\_\_\_\_

传真：\_\_\_\_\_ E-mail：\_\_\_\_\_

产品条码：\_\_\_\_\_

购买日期：\_\_\_\_\_年\_\_月\_\_日

经销商：\_\_\_\_\_

经销单位：（盖章）

### 保修卡（厂家留存）



用户名称：\_\_\_\_\_

详细地址：\_\_\_\_\_

邮编：\_\_\_\_\_ 电话：\_\_\_\_\_

传真：\_\_\_\_\_ E-mail：\_\_\_\_\_

产品条码：\_\_\_\_\_

经销单位：（盖章）

**重要提示：** 请将此联寄回以下地址  
 广东省东莞市松山湖科技园新城大道6号  
 华为南方工厂G区C7-1F 华为维修服务中心  
 电话：0755-28560555（5\*8h：8:30-12:00，13:30-18:00）  
 邮编：523808  
 邮件上注明保修卡

## Appendix/ 附录

### Security Precautions/ 安全注意事项

Carefully read and strictly comply with the following instructions and pay attention to the alarm information in this manual:

请仔细阅读本说明并严格遵守，留意本手册中的所有警告信息。

- The power adapter to be used by the device must meet the input voltage and current requirements described on the device label.  
设备所使用的电源适配器必须满足设备标签上注明的电源输入电压和输入电流要求。
- Install a lightning arrester and effectively ground the device shell.  
请安装避雷器，设备外壳必须有效接地。
- Risk of explosion if battery is replaced by an incorrect type dispose of used batteries according to the instructions.  
如果更换不正确的电池规格会有爆炸的风险，请按制造商说明书处理使用过的电池。
- This is a class A product. In a domestic environment this product may cause radio interference in which case the user may be required to take adequate measures.  
此为 A 级产品，在生活环境中，该产品可能会造成无线电干扰。在这种情况下，可能需要用户对其干扰采取切实可行的措施。
- Use a soft and dry cloth when cleaning the camera body. Do not use strong and abrasive alkaline cleaner or volatile solvent such as alcohol, benzene, or thinner.  
清洁机身可用柔软的干布擦拭，请勿使用如酒精、苯或稀释剂等挥发性溶剂或者强烈的、带有研磨性的碱性清洁剂。
- Keep the device away from water or any other liquids. Take proper water-proof measures.  
禁止让任何液体流入设备中。必须做好防水措施。
- Keep the device away from heat sources, fire sources (such as heating apparatus or candles), and strong magnetic fields (for example, high-voltage power distribution cabinet).  
安放设备时请远离热源、裸露的火源（例如电暖器、蜡烛等）和强磁场环境（例如高压变电箱）。
- Avoid any unauthorized modifications on the design of the structure, security, or performance.  
未经授权，任何单位和个人不得对设备进行结构、安全和性能方面的改动。
- Installation and maintenance must be performed by professional technical engineers or system installation engineers.  
有关本装置的所有安装维修工作均应由专业的维修技术人员或系统安装人员来完成。
- When the highest temperature in the installation environment exceeds 50°C, install the product in an area accessible only to professional personnel.  
当该产品安装区域的最高温度超过 50°C 时，该产品需要安装在仅能由专业人士接触到的受限区域。
- Use product-attached auxiliaries and recommended fittings.  
请使用产品配套的附件以及厂商推荐的配件。
- Comply with related laws and regulations, and respect legal rights of others when using this device. Post a reminder "You have entered the electronic surveillance area" at the most visible location if cameras are installed at public places.  
使用本设备时应遵循相关的法律法规，尊重他人的合法权利。如果您在公共场所安装摄像机，请在醒目的位置给予提示：您已进入电子监控范围。

### 限制物質含有情況標示聲明書

設備名稱：球型網絡攝像機，型號：IPC6525-Z30-S

單元	限制物質及其化學符號					
	Pb 鉛	Hg 汞	Cd 鎘	Cr6+ 六價鉻	PBB 多溴聯苯	PBDE 多溴二苯醚
單板/電路模塊	-	○	○	○	○	○
線纜和線纜組件	-	○	○	○	○	○
輔料	-	○	○	○	○	○
電池	○	○	○	○	○	○

備考1：“○”係指該項限用物質之百分比含量未超出百分比含量基準值。

備考2：“-”係指該項限用物質為排除項目。